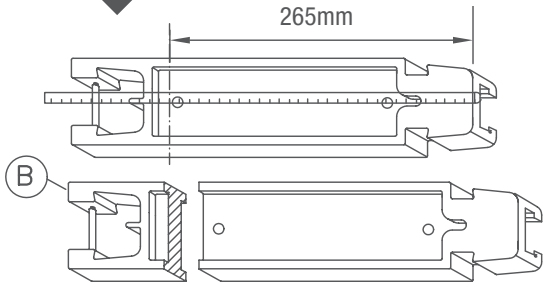
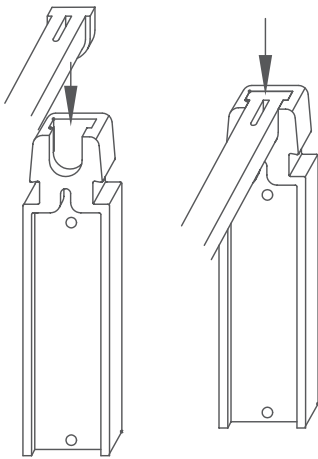


# ADD-A-STEP® Assembly Instructions

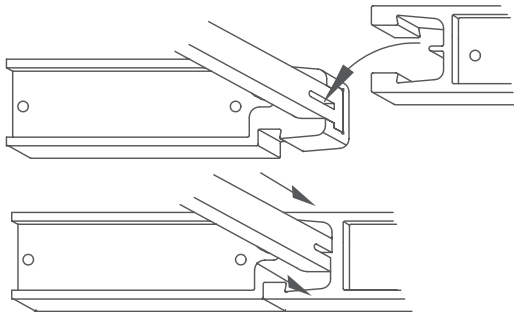
Please follow instructions carefully because a ladder that has been assembled incorrectly will not perform to its full capacity. If assistance is required please call 1300 737 554.



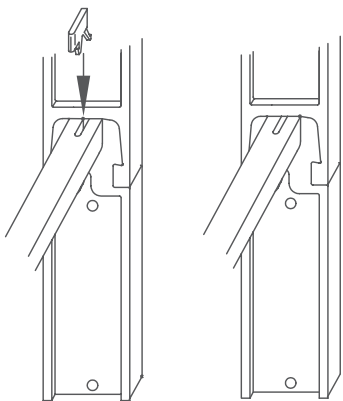
1. Measure required distance 265mm  
Cut off Part B on two sides.



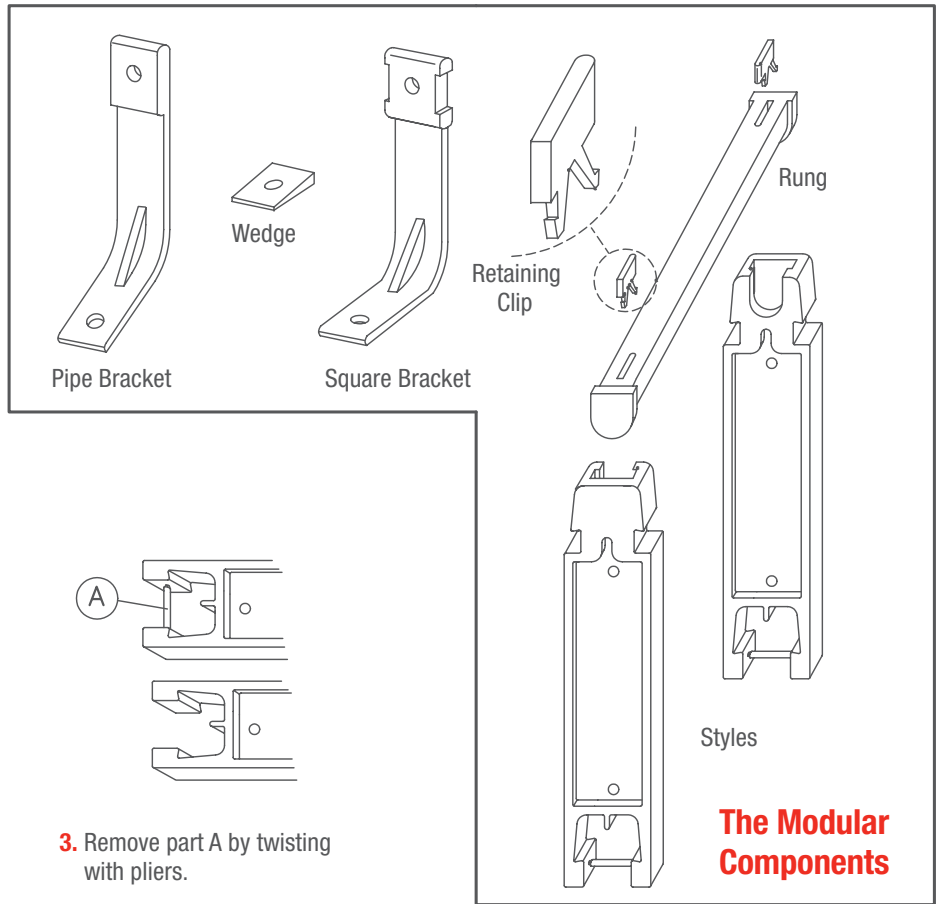
2. Insert rung on stile knock into place with a hammer or mallet.



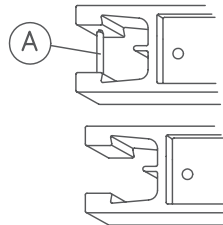
4. Connect two stiles together as shown and knock into place with a hammer or mallet.



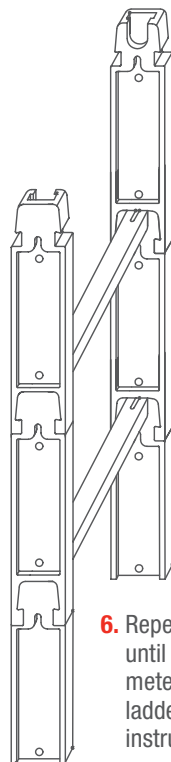
5. Insert retaining clip and press into place with your fingers.



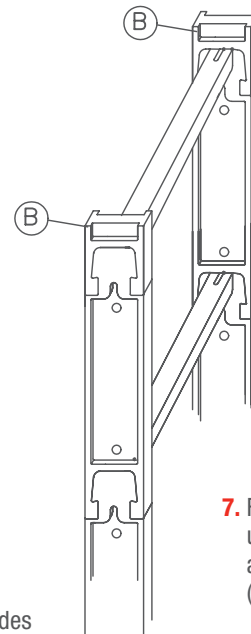
**The Modular Components**



3. Remove part A by twisting with pliers.



6. Repeat step 2 to 5 for both sides until the maximum length of 3.9 meters is reached. If a longer ladder is required please follow instruction shown in Fig. 10.

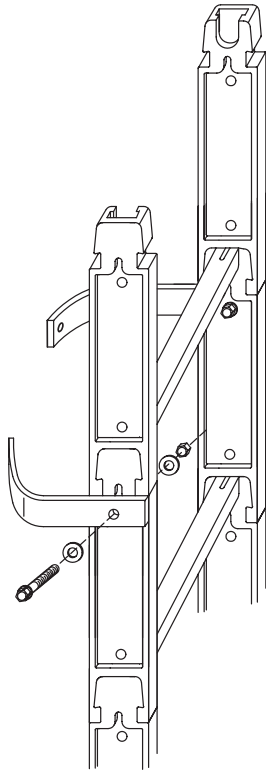


7. Finish top of ladder by using offcuts. Part B and knock into place. (see steps 4 and 5).

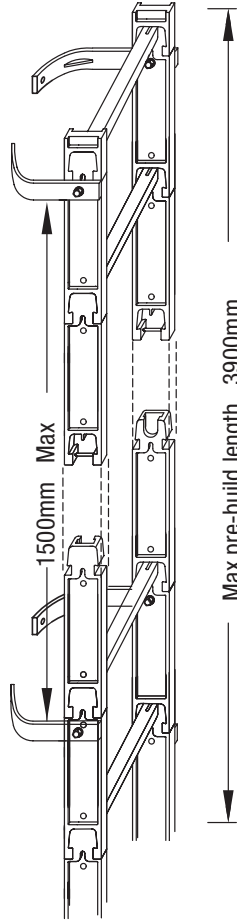
**PTO**

# ADD-A-STEP® Assembly Instructions

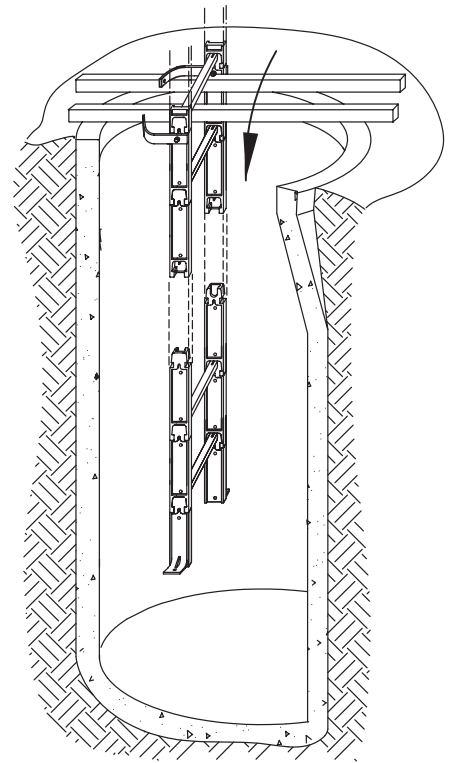
Please follow instructions carefully because a ladder that has been assembled incorrectly will not perform to its full capacity. If assistance is required please call 1300 737 554.



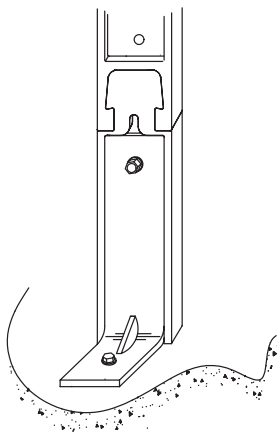
- 8.** Bolt wall brackets to stiles using preformed holes and M12 x 45S/S bolts, nuts and washers supplied with ladder.  
**Maximum distance between brackets must not exceed 1.5 meters.**  
Use pipe brackets for round manholes and square brackets for flat surfaces.



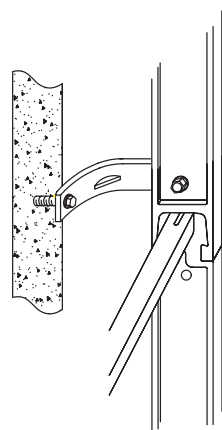
- 9.** Ladder assembly completed with wall brackets.



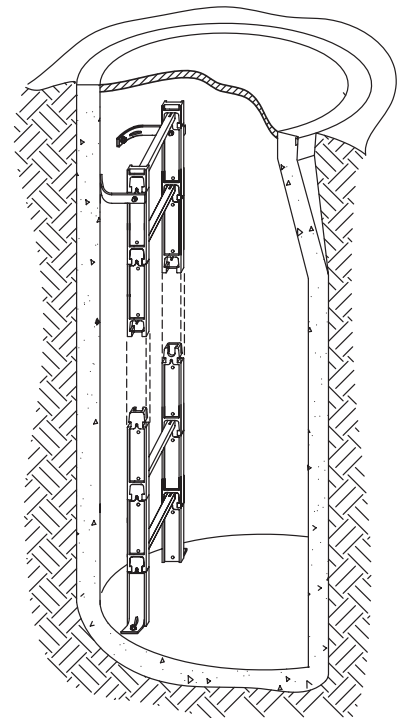
- 10.** Insert maximum length of 3.9 meters and support under the top rung with 75 x 50mm of hardwood (or larger) and length to cover manhole opening to enable the assembly of a longer ladder.



- 11.** Secure bottom of ladder to floor of manhole where possible using square brackets and wedges if necessary supplied by Industrial Steps & Ladders Pty Ltd.



- 12.** Secure brackets to wall using anchor bolts approved by relevant water authority or specifying authority and use wedges where required.



- 13.** Replace manhole cover installation completed.